



INSTALLATION INSTRUCTIONS

Accessory

REAR TRUNK BASE
P/N 08L71-K35-J01

Application

PCX150

Publication No.

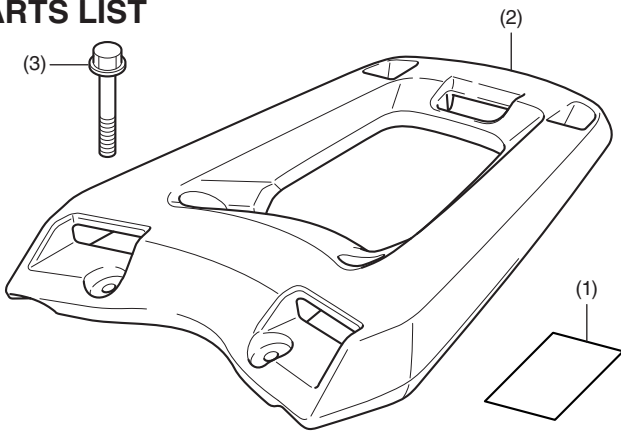
MII 16688

Issue Date

May 2018

Honda Dealer: Please give a copy of these instructions to your customer.

PARTS LIST



No.	Description	Qty
(1)	Installation Instruction URL	1
(2)	Carrier base	1
(3)	Bolt flange 8 x 40 mm	4

TOOLS REQUIRED

Socket (12 mm)

Ratchet

Torque wrench

TORQUE CHART

Tighten all screws, bolts, and nuts to their specified torque values. Refer to the Service Manual for the torque values of the removed parts.

Item	N·m	kgf·m	lbf·ft
8 mm flange bolt	27	2.8	20

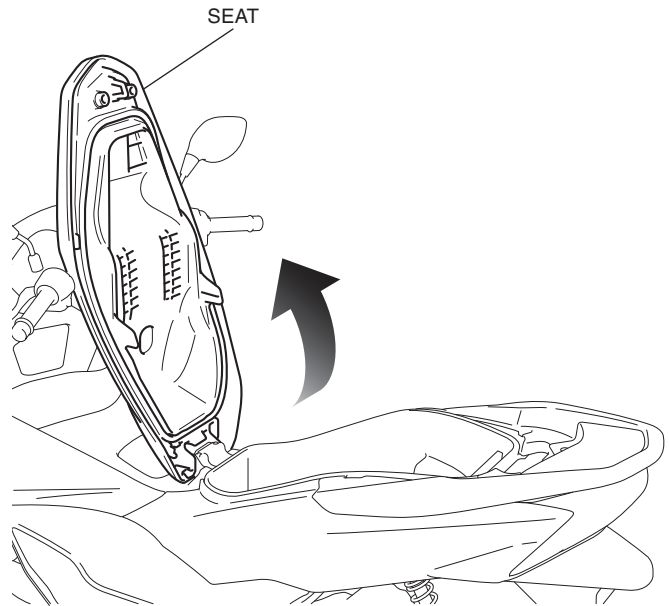
MAXIMUM LOADING CAPACITY

- The weight of the cargo must not exceed the following maximum loading capacity:

Maximum Loading Capacity	
Top box	3.0 kg (6.6 lb)

INSTALLATION

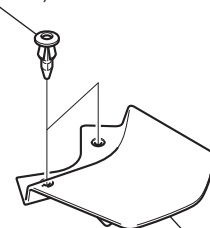
- Open the seat as shown.



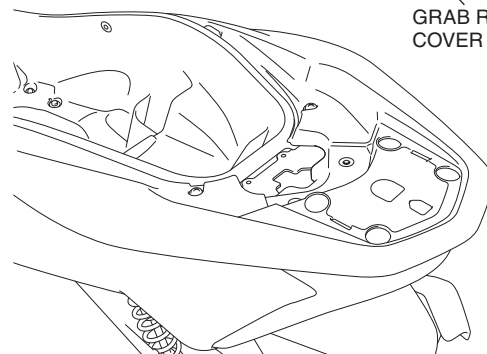
- Remove the grab rail cover lid as shown.

(‘13-’18 PCX150)

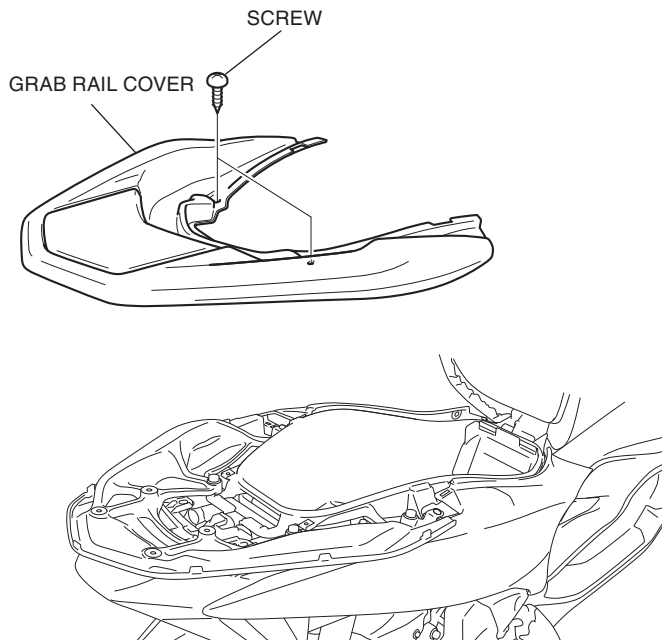
CLIP (Save)



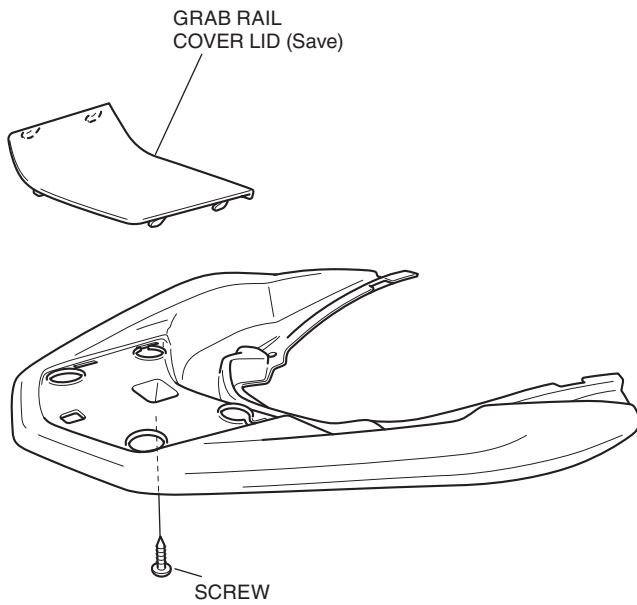
GRAB RAIL
COVER LID (Save)



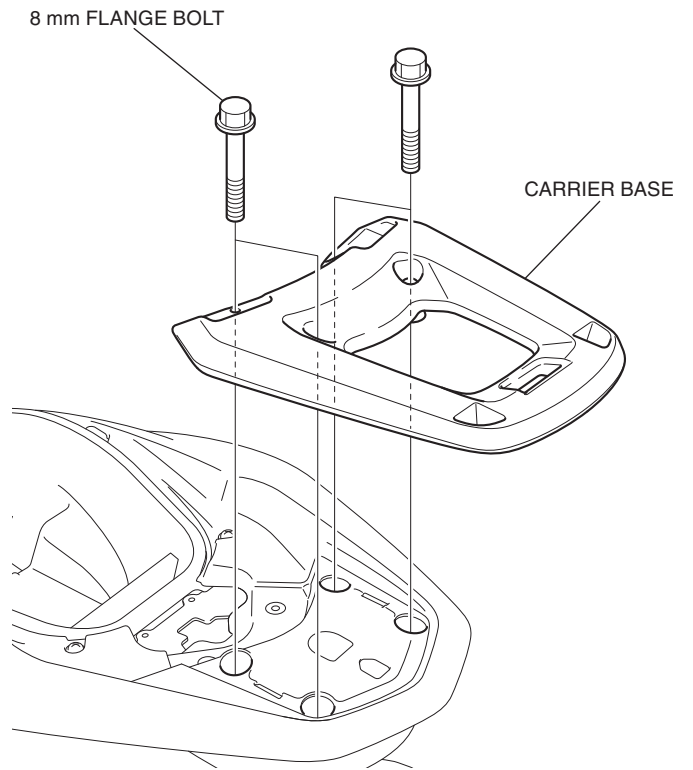
(After '18 PCX150)



Install the carrier base as shown.



3. Install the carrier base as shown.



4. Refer to the Genuine Accessory User's Guide that is packaged with the rear trunk, and install the rear trunk according to the instruction.